

Figure 1. PA 12.12.11. Epoxy painted aluminium construction.

## Features

- Robust design.
- Compact size and low weight.
- Available in epoxy painted aluminium or stainless steel construction.
- Easily adjustable.
- Built in relief valve.
- Mounting bracket supplied as standard.

## Function

The airlock blocks the air pressure in the diaphragm chamber of the actuator when the air pressure falls below the desired set value (1.0-4.0kg/cm<sup>2</sup>).

The airlock has a built in relief valve which exhausts air from the diaphragm chamber should need arise for manual actuator operation, thus avoiding damage to the actuator diaphragm.

## Cut off setting.

Inlet supply air and outlet output gauge are required. To adjust the cut off setting, remove cap and adjust spring adjusting screw until desired outlet cut-off pressure is achieved. Please note that the airlock reset differential is approx 2-4 PSIG higher than the set cut off pressure. Turning the adjusting screw clock-wise will increase the setting and anti-clockwise will decrease the setting. Replace cap after making adjustment.

## Caution.

Open manual relief valve to vent actuator diaphragm chamber when actuator handwheel (if fitted) is operated to avoid possible damage to actuator diaphragm.

## Ordering Code.

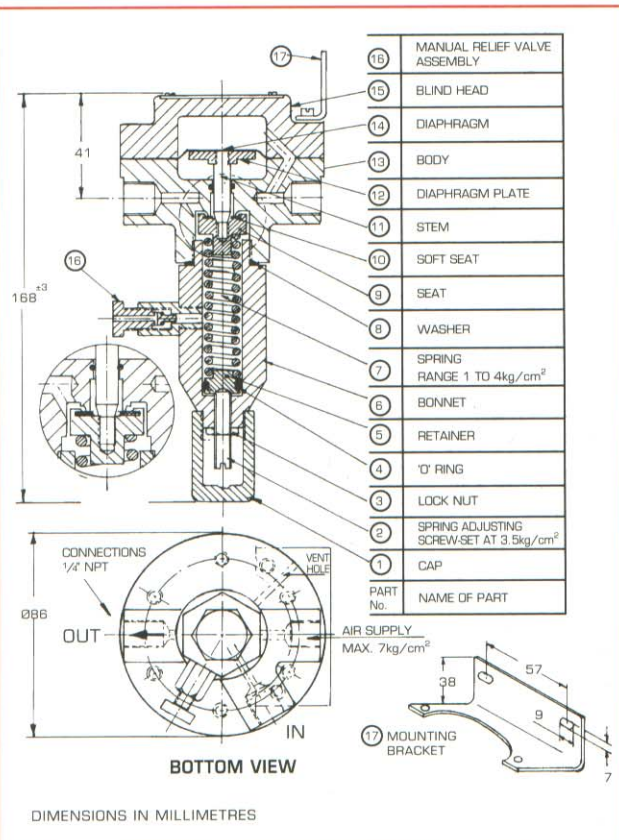
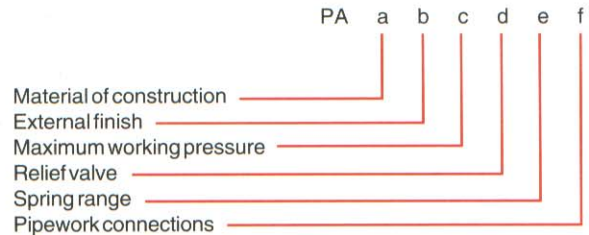
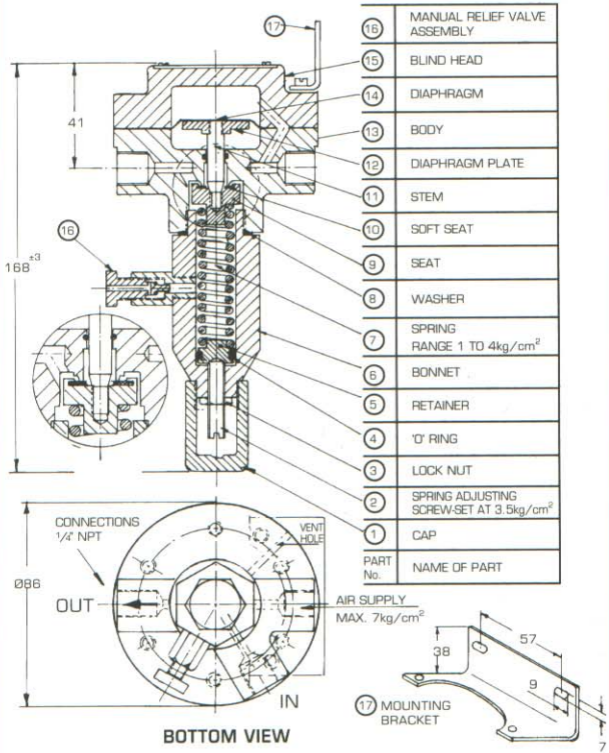


Figure 2. PA Series airlock diagram.

	code
a <b>Material of construction</b>	
Aluminium	1
Stainless Steel	2
b <b>External finish</b>	
Epoxy paint	2
Stainless steel	3
c <b>Max working pressure</b>	
7Kg/cm <sup>2</sup>	1
d <b>Relief valve</b>	
With	2
e <b>Spring range</b>	
1 - 4Kg/cm <sup>2</sup>	1
f <b>Pipework connections</b>	
1/4" NPT	1



DIMENSIONS IN MILLIMETRES

Figure 2. PA Series airlock diagram.